

B683 Quick Start

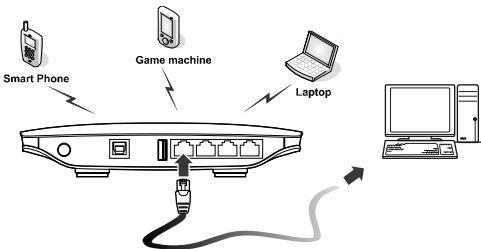
Note:

- The following illustrations are provided for your reference only. For details about the model you selected, please examine the actual device to determine where features are located.
- Check the information about the product and its accessories when you purchase it. Some accessories are not provided in the packaging box. If required, please contact your local dealer purchase them.
- This guide briefly describes the functions of the device. For details about how to set the management parameters, see the **Help** on the Web management page.

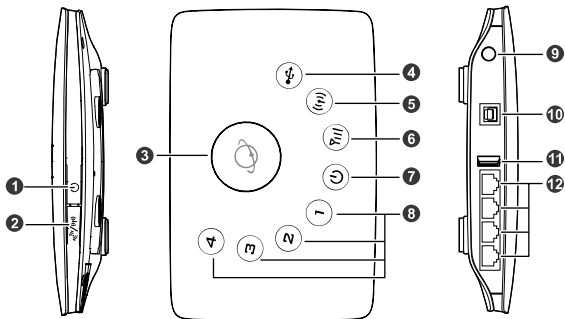
Getting to Know Your Device

Application Scenarios

Your computer or a Wi-Fi device can connect to the Internet through this device. The specific connection steps depend on Wi-Fi device or your computer's operating system; please follow specific steps to commence operation.



Appearance








- | | |
|-----------------------------|--------------------------|
| 1. Power button | 7. Power indicator |
| 2. Wi-Fi/WPS button | 8. LAN indicators |
| 3. Dial-up key | 9. External antenna port |
| 4. USB indicator | 10. Power port |
| 5. Wi-Fi/WPS indicator | 11. USB port |
| 6. Network status indicator | 12. LAN ports |

Note:

- LAN indicators correspond to LAN ports.
- Wi-Fi: Wireless Fidelity
- WPS: Wi-Fi Protected Setup
- LAN: Local Area Network

Indicators

Indicator	Status
 USB indicator	<ul style="list-style-type: none">● Steady on: USB storage device connected● Off: USB storage device not connected
 Wi-Fi/WPS indicator	<ul style="list-style-type: none">● Steady on: Wi-Fi activated or data transfer in progress● Blinking: Establishing a WPS connection● Off: Wi-Fi not activated
 Network status indicator	<ul style="list-style-type: none">● Red, fast-blinking: Faulty SIM card (SIM card not inserted or malfunctioned, or PIN verification failed)● Yellow, steady on: Successfully registered to the network● Green, steady on: Connected to the Internet● Off: No signal
 Power indicator	<ul style="list-style-type: none">● Steady on: Device turned on● Off: Device turned off
 LAN indicators	<ul style="list-style-type: none">● Steady on: Network cable connected● Blinking: Data transfer in progress● Off: Network cable not connected

PC Configuration Requirements

Recommended PC configurations are as follows:

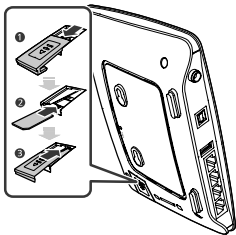
- CPU: Pentium 500 MHz or higher
- Memory: 128 MB RAM or higher
- Hard disk: 50 MB disk space available
- Operating system: Windows 2000, Windows XP, Windows Vista, or Windows 7
- LCD resolution: At least 800 x 600 pixels. A resolution of 1024 x 768 pixels is recommended
- Web browser: Microsoft Internet Explorer 6, Internet Explorer 7, or Internet Explorer 8, Firefox 3.5 or 3.6, Safari 3.0, Opera 10.5, or Chrome 5.1

Installation

Installing the SIM Card

Attention: Before inserting or removing the SIM card, please power off and unplug the device.

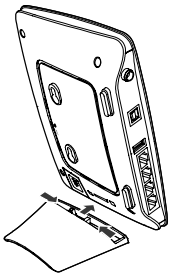
Remove the card cover. Slide the SIM card into the card slot with the golden contact facing downward. Replace the card cover.



Placing the Device

Your device can be placed horizontally, be placed upright with the use of a table stand, or hung on the wall. Place your device on a surface well above the floor or near a window, so it can receive a strong signal.

Insert the latches on the table stand into the slots on the back of the device. The table stand allows the device to stand on a flat surface like a table or desk. See the following figures.

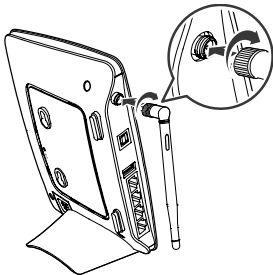


Note: To avoid the interference caused by radio signals, place the device at least 1 meter (3.28 feet) away from other electrical devices.

(Optional) Installing the External Antenna

Connect the external antenna to the device's external antenna port. Install the antenna securely by screwing it completely into the antenna jack.

You need to first set the antenna mode to external on the management page (<http://192.168.1.1>). For details, see **Help** on the management page.

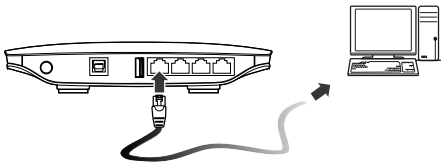


Note:

- If you do not need to connect an external antenna, you can skip this step.
- The external antenna can be used indoor only.
- While a data transfer is in progress, you are unable to switch between the internal antenna and the external antenna.

Connecting the Device to a PC Using an Ethernet Cable

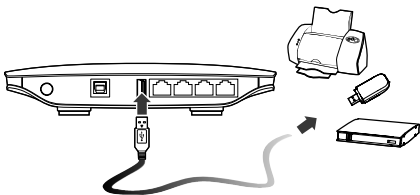
If the indicator for the LAN port to which the Ethernet cable is connected is on, the connection is active. The network cable connecting to the PC must not be longer than 100 meters (328 feet).



Connecting the Device to a USB Disk, Mobile Disk, or USB Printer

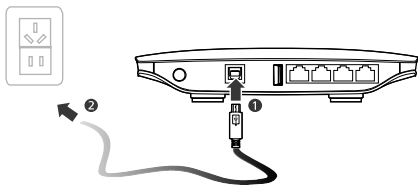
Your device can be connected to a USB disk, mobile disk, or USB printer through the USB port.

Attention: The USB port provides only 500 mA of current.





Connecting the Power Supply

Attention: Use a power adapter that is compatible with the device or else the device may be damaged.

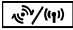

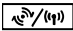



Powering On/Off the Device

- After connecting the power supply, the device will power on automatically.
- Press and hold  until all indicators turn off to power off the device.
- Press and hold  until all indicators turn on to power on the device.

Setting Up Wireless Connection


Step 1. Activating Wi-Fi

- After the device is powered on, Wi-Fi is activated by default.
- Press and hold  for 2 seconds, and then stop the press. Then,  is off, which indicates that Wi-Fi is deactivated.
- Press and hold  until  is steady on to activate Wi-Fi.

Step 2. Establishing a Wi-Fi Connection

Establishing a Wi-Fi Connection (Using a PC as an Example)

Note: Before establishing a Wi-Fi connection, you must ensure that your computer is equipped with a wireless network adapter. If it is clear that the computer has a wireless network connection, then the wireless network adapter can be used. Otherwise, you must ensure that the wireless network adapter is functioning properly.


1. Make sure that  is steady on.
2. View available wireless network connections on your PC.
3. Connect to the wireless network connection consistent with your device's SSID.

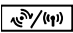

Note:

- If the wireless network has security mechanism, you must enter the correct network key.
- The SSID and password are printed on the device label.

(Optional) Establishing a WPS Connection

If the Wi-Fi device to which your device connects supports WPS, a password is generated automatically; there is no need to enter it. To set up the WPS connection, do as follows:

1. Make sure that  is steady on.
2. Activate WPS on your device.

Note: Press and hold  until  is blinking to activate WPS.



3. Activate WPS on the client.

Note: For details about operations on the client, see the user guide of the client.

Accessing the Internet

After a connection between your device and the client is active, you use the following modes to access the Internet.

Attention: Please select a proper Internet connection mode according to your network charges. For example, if you are using time-based service, **Manual** mode is recommended. Please consult your network operator for network charges.

Mode	Operation
Auto	After the device is powered up, no matter if there is data transmission or not, it will be connected to the Internet, and won't disconnect automatically.
Manual	<ul style="list-style-type: none">● Press and hold  until  is steady on. The Internet connection is active.● After you are logged in to the management page, you can connect or disconnect using your interface prompt.
On Demand	After the device is powered up, and there is data transmission, it will automatically connect to the Internet. If there is no data transmission within the set time, the device will automatically disconnect from the Internet.

Using the Management Page

You can set and manage the device parameters through the management page.

1. Launch a web browser and enter **<http://192.168.1.1>** in the address bar.
2. Enter the password and click **Login**.

Note:

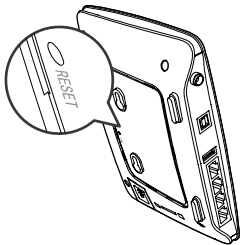
- The default password is **admin**.
- To protect your device, only allow one user to log in to the management page at the same time.

Restoring Factory Defaults

If you become uncertain of which parameters you have set or changed, you can restore the factory defaults which the device came with and set the parameters again.

RESET: Use a sharply pointed object to press and hold the **RESET** button until all indicators ((P), 1, 2, 3, 4 and ←→) are blinking. The device will automatically restart after the factory defaults are successfully restored.

Note: Restoring factory defaults removes all personal configurations and resets all configurations on the management page to their default values.



Friendly Tips

If you are unable to use your device normally, do as follows:

- See **Help** on the management page.
- Restart the device.
- Restore the device to factory defaults.
- Contact your service provider.

Copyright © Huawei Technologies Co., Ltd. 2011. All rights reserved.

THIS DOCUMENT IS FOR INFORMATION PURPOSE ONLY, AND DOES NOT CONSTITUTE ANY KIND OF WARRANTIES.

Version: V100R001_02 Part Number: 96720310