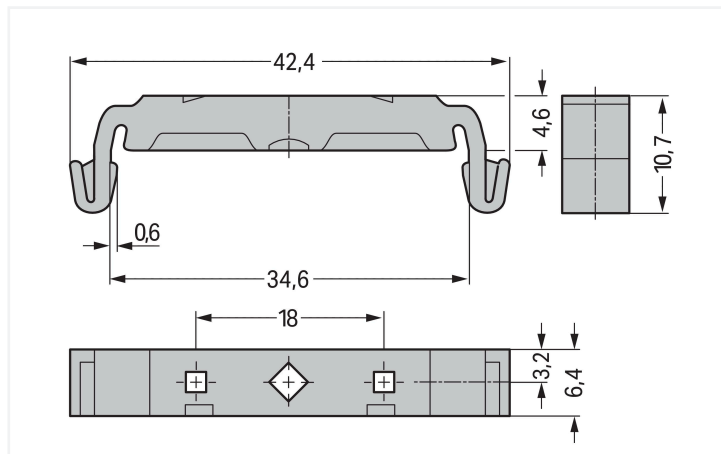


Data Sheet | Item Number: 209-120

Mounting foot; can be snapped on terminal blocks with snap-in mounting foot;
for mounting on relay-modules; 6.4 mm wide; gray



Color: ■ gray



Dimensions in mm

Technical data

Mounting type DIN-35 rail

Physical data

Width 6.4 mm / 0.252 inches
Height 42.3 mm / 1.665 inches
Depth 10.8 mm / 0.425 inches
Depth from upper-edge of DIN-rail 4.8 mm / 0.188 inches

Mechanical data

Suitable for male and female connectors with snap-in mounting feet (for panel mounting)

Material data

Color gray
Material group I
Insulation material Polyamide (PA66)
Flammability class per UL94 V0
Fire load 0.036 MJ
Weight 1.2 g

Commercial data

Product Group 2 (Terminal Block Accessories)
eCl@ss 10.0 27-14-11-92
eCl@ss 9.0 27-14-11-92
ETIM 8.0 EC002848
ETIM 7.0 EC002848
PU (SPU) 500 (25) pcs
Packaging type Box
Country of origin CH
GTIN 4017332272421
Customs tariff number 39269097900

Fixing screw #1, one central screw



Fixing screw #2, two screw

